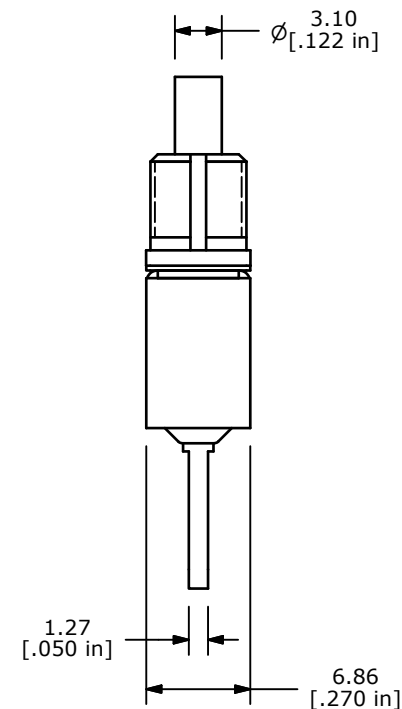
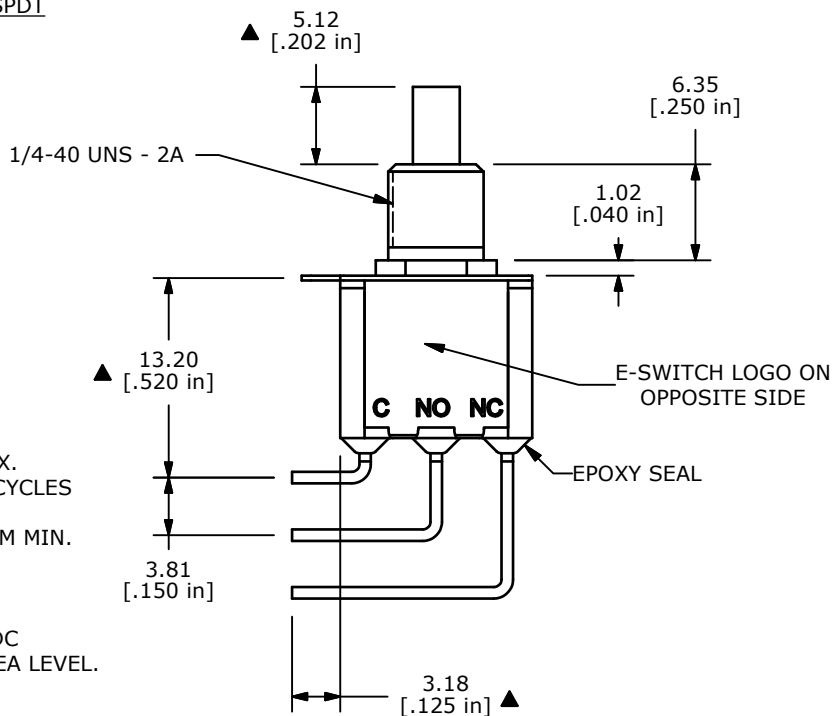
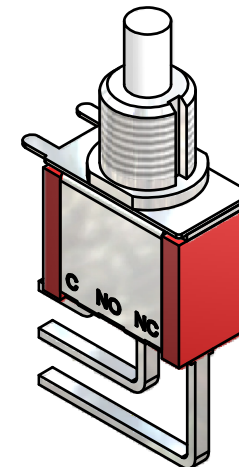
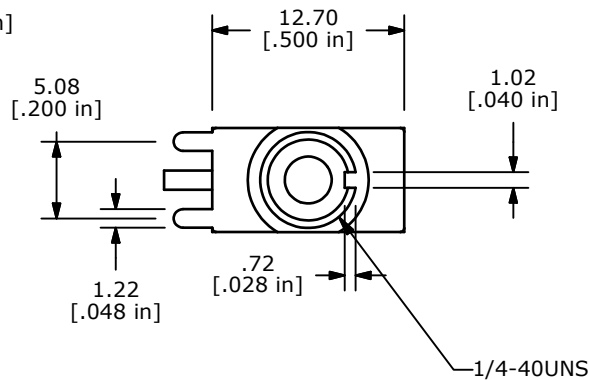
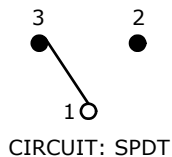


| SWITCH FUNCTION |        |
|-----------------|--------|
| POS. 1          | POS. 2 |
|                 |        |
| ON              | (ON)   |
| 1-3             | 1-2    |

(ON)=MOMENTARY



NOTE:

- ALL DIMENSIONS IN MM [INCH]
- GENERAL TOLERANCE: X.X=±0.4  
X.XX=±0.25
- TERMINAL NUMBERS FOR REF ONLY
- CONTACT MATERIAL: GOLD OVER SILVER
- RATING: 1A @ 250 VAC; 3A @ 120 VAC MAX.
- ELECTRIC LIFE: 50,000 MAKE-AND-BREAK CYCLES AT FULL LOAD
- INSULATION RESISTANCE: 1,000 MEGA-OHM MIN.
- ACUATION FORCE: 300 ± 100gf
- TRAVEL: 1.0 ± 0.2mm
- CONTACT RESISTANCE: 20 mOHM MAX. TYPICAL @ 2-4 VDC
- DIELECTRIC STRENGTH: 1,000 V RMS @ SEA LEVEL.
- OPERATING TEMP.: -30°C to 85°C
- ▲ DENOTES CRITICAL PARAMETER.
- 2002/95/EC (ROHS) COMPLIANT.

|     |        |                     |         |     |
|-----|--------|---------------------|---------|-----|
| C   | 19968  | REVISED AND REDRAWN | 5/27/11 | BGL |
| B   | 18538  | bushing was B21     | 5/20/09 | rc  |
| A   | 18511  | NEW RELEASE         | 4/30/09 | RC  |
| REV | PCR NO | DESCRIPTION         | DATE    | BY  |

THE INFORMATION CONTAINED IN THIS DOCUMENT IS PROPRIETARY TO E-SWITCH AND IS NOT TO BE COPIED OR TRANSFERRED



|                     |                |       |             |       |
|---------------------|----------------|-------|-------------|-------|
| TITLE 700SP7B10M7CE |                |       |             |       |
| SCALE 2:1           | DATE 4/30/2009 | DR RC | DWG T711068 | REV C |